



NGATI TUWHARETOA GEOTHERMAL ASSETS LTD

**NEW ZEALAND GEOTHERMAL
WORKSHOP
INDUSTRY UPDATE 20 NOVEMBER 2015**

Daniel Britten

Ngati Tuwharetoa Geothermal Assets Ltd

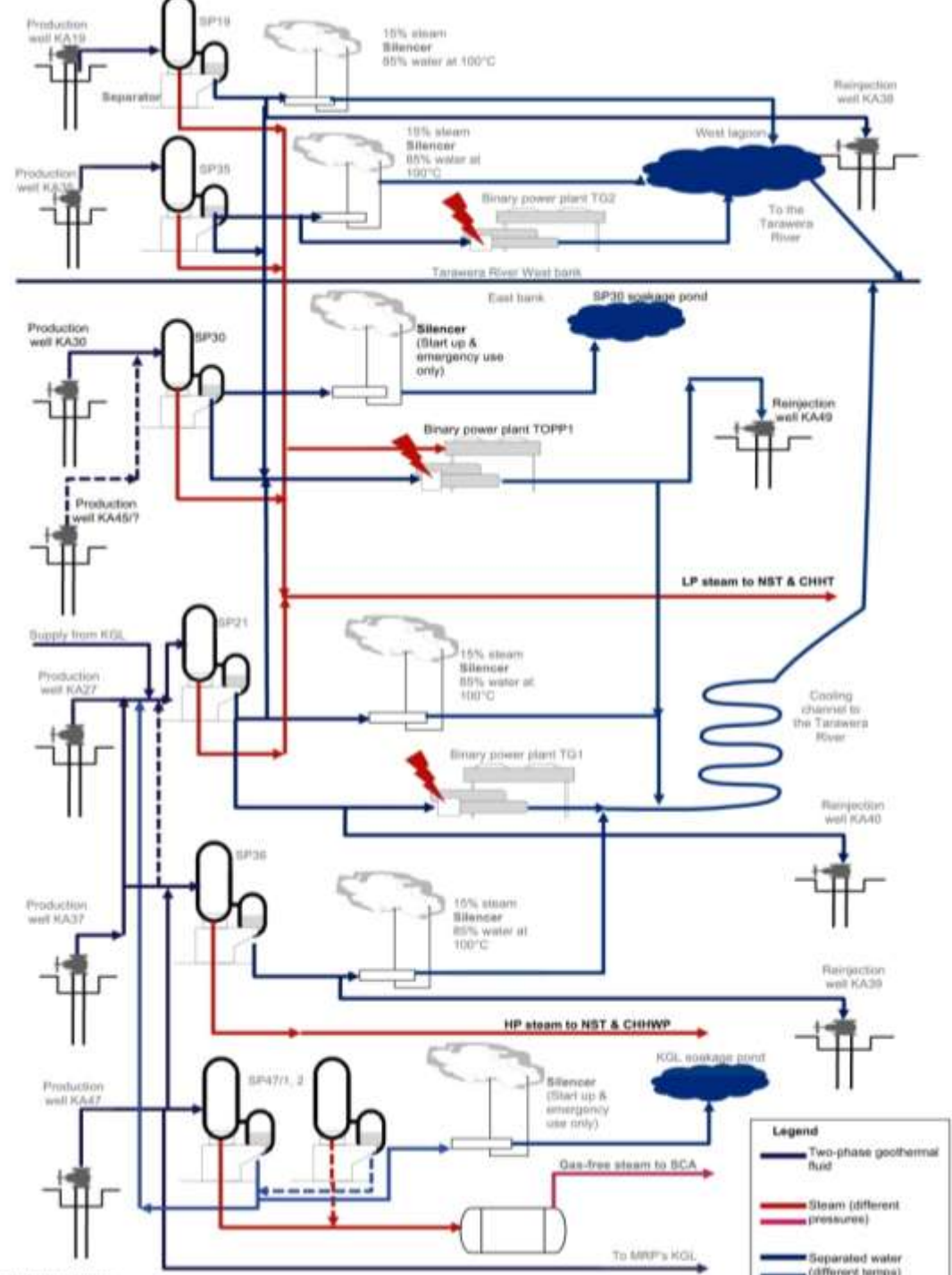
- Based in Kawerau
- 100% owned by Ngati Tuwharetoa (BoP) Settlement Trust
- A wholesaler of geothermal energy to industry
 - Norske Skog Tasman (Mill operations)
 - Norske Skog Tasman (Power generation)
 - Asaleo (Tissue manufacturing)
 - CHH (Wood processing)
 - Sequal Lumber (Wood processing)



Unique in what we do

- The only geothermal business 100% owned by Iwi
- Supplier of geothermal heat / energy
- Provide unique geothermal supply solutions for customers from “gate” to “gate”
 - Will work with customers to supply specific energy requirements (pressure/temperature)

System is complex and has multiple users





Highlights for 2015



Highlights

- No reportable health and safety incidents
- Spence McClintock engaged as CEO for Ngati Tuwharetoa group
 - Focus on Growth in geothermal and other business opportunities
- Taking over operations and maintenance of the NTGA steamfield
 - Setting up own Operations centre
 - Establishment of Systems and Processes
 - Establishment of IT Infrastructure
 - Employment of Operators and Engineers
 - Development of training program for local iwi



Highlights cont.

- New Customer commenced utilising geothermal energy
 - Sequel Lumber (kilns)
- Another record year of steam volume sold to customers
- MT surveys scoping wider geothermal areas



The future



The Future

- Utilising new 45,000tpd available consent - working with prospective customers.
 - Consent & energy available for new industry in Kawerau
- Drilling new make-up production well - Jan 2016
- Consolidation of NTGAs operations staff
- Review of existing steamfield infra-structure



Working together

- Multi tapper geothermal field
 - Ngati Tuwharetoa Geothermal Assets
 - Mighty River power
 - Geothermal Developments Ltd
 - Te Ahi O Maui (newly consented take)
- One geothermal reservoir – one management approach
 - Working with BOPRC – Kawerau System Management Plan



THANK YOU

TENA KOUTOU